

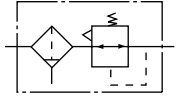
39

系列 气源处理元件 Series Air Filter Combination

397 系列空气过滤减压阀 Series Air filter and Regulator



图形符号 Graphical symbols



型号注释 Order Code



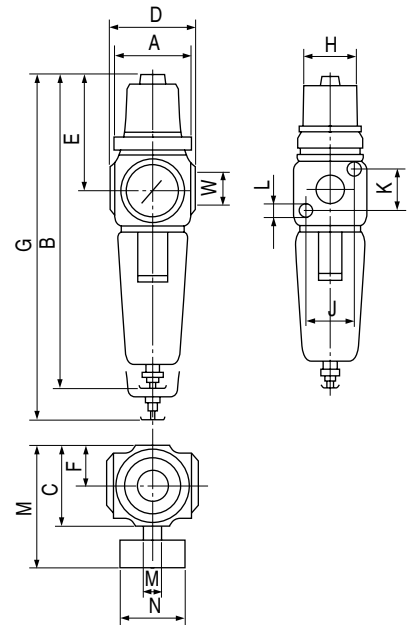
技术参数 Specification

最大工作压力/Max working Pressure	1.0MPa
工作温度 / Working temp.	5~60℃
压力调节范围 / Adjustable range of pressure	0.05~1.0MPa
分水效率 / Moisture separation effectiveness	≥80%

流量 / Flow rate m³/h (L/min)

接管螺纹 Connection threads	G1/8~G1/4	G3/8~G1/2	G3/4~G1
当过滤度为50~75µm, 压降△P=0.1MPa时流量 when filtering is 50~70µm, pressure drop △P=0.1MPa , flow rate			
输入压力 Pressure input P1 (MPa)	输出压力 Pressure output P2 (MPa)		
1.0	0.1	15 (250)	37 (615)
1.0	0.25	25 (415)	75 (1250)
1.0	0.4	30 (500)	88 (1465)
1.0	0.6	35 (580)	100 (1665)

过滤器的配管直径小一号时, 流量约减少10%; 滤芯微孔直径小一号时, 流量约减少7%。
With pipeline to the filter one size smaller in diameter, the flow rate reduces by approx 10%, with filter element pore dia one size smaller, flow rate reduces by 7%.



外形尺寸 Outlook & Dimension

型号 type	A	B	C	D	E	F	H	J	K	L	Z	G	V	N	M	重量(Kg) weight
397.211-214	40	177	40	48	62	20	28	20	20	M4	M30 × 1.5	202	G1/4	40	70	0.50
397.221-224	40	177	40	40	62	20	28	20	20	M4	M30 × 1.5	202	G1/4	40	70	0.49
397.251-254	60	252	60	68	95	30	45	35	35	M5	M50 × 1.5	292	G1/4	50	65	1.41
397.261-264	60	252	60	60	95	30	45	35	35	M5	M50 × 1.5	292	G1/4	50	65	1.39
397.281-284	80	310	80	92	110	40	65	48	48	M6	M67 × 1.5	360	G1/4	63	120	2.05
397.291-294	80	310	80	90	110	40	65	48	48	M6	M67 × 1.5	360	G1/4	63	120	2.00