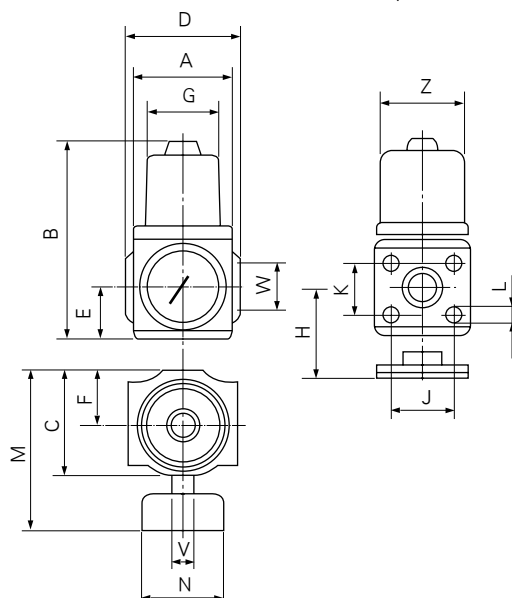
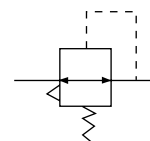


395 系列减压阀
series Pressure Relieving valve



图形符号 Graphical symbols



型号注释 Order Code



外形尺寸 Outlook & Dimension

| 型号 type | W | A | B | C | D | E | F | G | J | K | L | Z | H | V | N | M | 重量 (Kg) |
|-------------|------|----|-----|----|----|----|----|-----|----|----|-----|-----------|----|------|----|-----|------------|
| 395.211-214 | G1/8 | 40 | 135 | 40 | 48 | 20 | 20 | 160 | 20 | 20 | 4.8 | M30 × 1.5 | 25 | G1/4 | 40 | 70 | 0.390 |
| 395.221-224 | G1/4 | 40 | 135 | 40 | 40 | 20 | 20 | 160 | 20 | 20 | 4.8 | M30 × 1.5 | 25 | G1/4 | 40 | 70 | 0.380 |
| 395.251-254 | G3/8 | 60 | 187 | 60 | 68 | 30 | 30 | 227 | 35 | 35 | 5.7 | M50 × 1.5 | 20 | G1/4 | 50 | 95 | 1.140 |
| 395.261-264 | G1/2 | 60 | 187 | 60 | 60 | 30 | 30 | 227 | 35 | 35 | 5.7 | M50 × 1.5 | 20 | G1/4 | 50 | 95 | 1.120 |
| 395.281-284 | G3/4 | 80 | 240 | 80 | 92 | 40 | 40 | 290 | 48 | 48 | 7 | M67 × 1.5 | 30 | G1/4 | 63 | 120 | 1.850 |
| 395.291-294 | G1 | 80 | 240 | 80 | 90 | 40 | 40 | 290 | 48 | 48 | 7 | M67 × 1.5 | 30 | G1/4 | 63 | 120 | 1.80 |

技术参数 Specification

| | |
|---------------------------------------|--------------|
| 最大工作压力/Max working Pressure | 1.0MPa |
| 工作温度 / Working temp. | 5 ~ 60°C |
| 压力调节范围 / Adjustable range or pressure | 0.05 ~ 1 MPa |

流量 / Flow rate

m³/h (L/min)

| 接管螺纹 Connection threads | | G1/8 ~ G1/4 | G3/8 ~ G1/2 | G3/4 ~ G1 |
|---------------------------------------|--|---|-------------|------------|
| 口径 passage dia (mm) | | 6 ~ 8 | 10 ~ 15 | 20 ~ 25 |
| 输入压力 P1 Pressure input P1 (MPa) | 输出压力 P2 Pressure output P2 (MPa) | 当压降ΔP=0.1MPa时流量 / when pressure drop ΔP=0.1MPa, flow rate | | |
| 1.0 | 0.1 | 20 (330) | 55 (915) | 110 (1830) |
| 1.0 | 0.25 | 30 (500) | 85 (1415) | 150 (2500) |
| 1.0 | 0.4 | 35 (580) | 100 (1665) | 185 (3080) |
| 1.0 | 0.6 | 40 (665) | 110 (1830) | 220 (3665) |

减压阀的配接管直径小一号时，流量约减少10%。
With the connection to the valve one size smaller in diameter, flow rate reduces by approx 10%